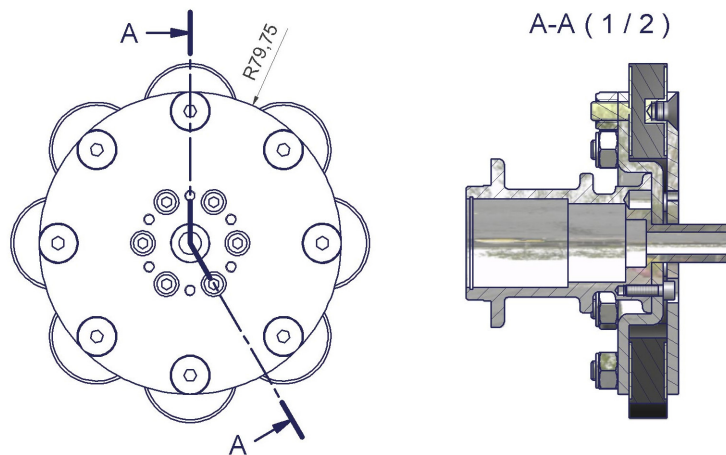


„Hardydisc“ for Monster 4 Blatt



From given cause we recommend to immediately mount urgently the jerk absorber “Hardydisc” developed by Fresh Breeze to the mono block transmission.

This special rubber storage for the propeller absorbs extreme vibrations and reduces so effectively damages of the transmission and the entire unit.

Recommendation to fix:

1. Dismantle the Propeller from the hub.
2. Screw up the complete “Hardydisc” onto the propeller hub by way of the conescrew M 6 x 12 mm
3. Screws the propeller with the screws provided M 6 x 56,5 mm to the propeller hub.
4. Use the propeller plate provided between the propellers. (drilling increased).

!.,The flexible disk “is free for owners of monster with mono block transmission!

